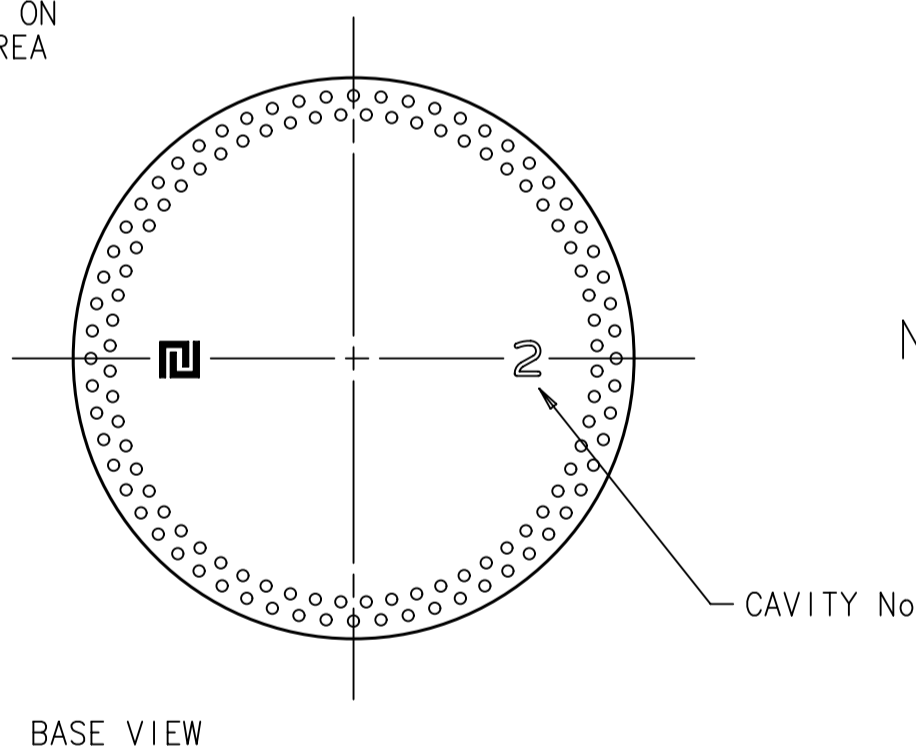



DOT STIPPLE ON
STANDING AREA



NOTES:

BASE LETTERING TO BE
4.0mm HIGH. 0.2 PROUD,
ROUND BOTTOM STYLE

ALL DIMENSIONS ARE IN MILLIMETERS

GLASS COLOUR	FLINT	(S)							SPECIFICATION AGREEMENTS ARE BASED ON TOLERANCED DIMENSIONS ONLY DO NOT SCALE DRAWING COPYRIGHT RESERVED, NOT TO BE COPIED IN WHOLE OR PART WITHOUT WRITTEN PERMISSION FROM ROCKWARE GLASS LTD.
		(R)							
		(P)							
		(N)							
		(M)	CID CODE REMOVED FROM LABEL PANEL	TB	31/08/05	TB	DB		
		(L)	SHORT BAR STIPPLE REPLACED BY DOT STIPPLE	AB	19/06/03	TB	DB		
		(K)	REDRAWN. FINISH WAS GF207	AB	17/11/00	TB	DB		
			REVISION		DATE	CHK	DRC		
MINIMUM THROUGH BORE	N/A		BRIMFUL CAPACITY	300.0ml ± 3.4ml					 Rockware GLASS PACKAGING TECHNOLOGY
TILT ANGLE	43.8°		WEIGHT NOMINAL	231g	HUF=85.5				
MAXIMUM CARBONATION (GAS VOLUMES)	N/A		FINISH	70mm RF30038(FD138S + FLARED BEAD)					300ml JAR CUSTOMER. NON PROPRIETARY DRAWN. AB DATE 17-11-00 CHECKED. TB D.R.C. DB SCALE DRAWING No A2 FULL SIZE 7471-M-00
			SURFACE TREATMENT	HOT END - YES	COLD END - YES				